

## Manifolds and accessories

05

MULTIFAR manifolds and accessories	167
START multipurpose modular manifolds and accessories	171
Distribution manifolds	173
Accessories for distribution manifolds	176
Coplanar manifolds	178
Plugs and reductions for manifolds	179
Adapters and sealing kit	180
Products complete with nut and sealing kit for Ø 18 copper pipe	181



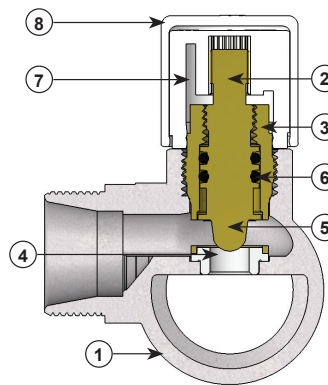
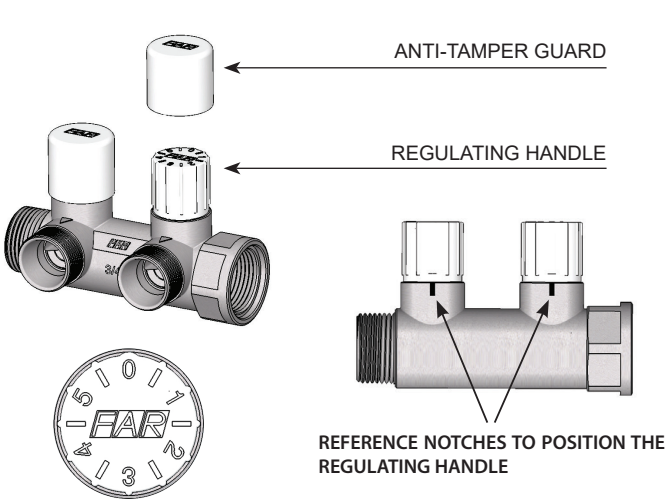
MULTIFAR MANIFOLDS WITH BALANCING BODIES

**MULTIFAR MANIFOLDS WITH BALANCING BODIES** allow quick adjustment of the desired flow rate into the different circuits using the numbered settings on the handle, enabling regulation without the use of tools in even the most confined spaces. The anti-tampering cap prevents interference with the lockshield valve adjustment. The unique profile of the regulating stem makes it possible to achieve almost linear flow rate variation.

The regulation system and assembly of the balancing body are subject to patent.



TECHNICAL FEATURES



1	Body: CB753S brass
2	Stem: CW617N brass
3	Body: CW617N brass
4	Body seat: P.T.F.E.
5	Shutter: CW617N brass
6	Sealing O-Ring: EPDM
7	Handle: ABS
8	Anti-tamper guard: ABS

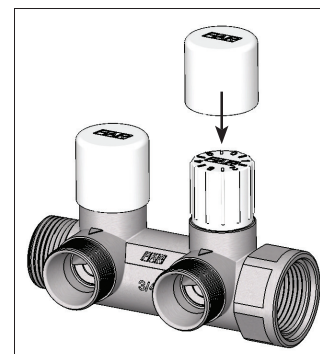
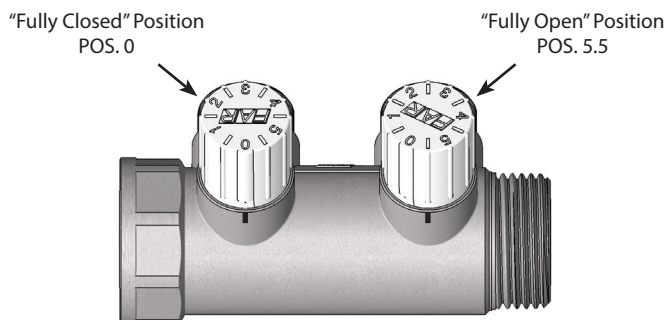
REGULATION

Adjustment is carried out by means of the handle indicating the reference numbers.

The handle stroke is less than 360° and ranges between position 0 (lockshield valve fully closed) and 5.5 (lockshield valve fully open). The handle position is easily identified by the reference notches on the manifold.

To install the anti-tamper guard, simply press it onto the regulating handle.

The white cap turns freely as it is not gripped by the handle, therefore eliminating the possibility of interference.



MULTIFAR - 2 port chrome-plated modular manifold for both domestic services and heating systems. Complete with manual controls. Each port is equipped with 2 silk-screen printed discs for circuit identification.

- Body in CB753S brass
- Interchangeable sizes for copper, plastic and multilayer pipe.
- Side connections: 3/4" - 1" male-female
- Centre distance between ports: 45 mm

NB Insulation on page 177



### ART. 3825

Code	size	€	box	pack
3825 34	3/4"		1	25
3825 1	1"		1	25

MULTIFAR - 3 port chrome-plated modular manifold for both domestic services and heating systems. Complete with manual controls. Each port is equipped with 2 silk-screen printed discs for circuit identification.

- Body in CB753S brass
- Interchangeable sizes for copper, plastic and multilayer pipe.
- Side connections: 3/4" - 1" male-female
- Centre distance between ports: 45 mm

NB Insulation on page 177



### ART. 3850

Code	size	€	box	pack
3850 34	3/4"		1	25
3850 1	1"		1	25

MULTIFAR - 4 port chrome-plated modular manifold for both domestic services and heating systems. Complete with manual controls. Each port is equipped with 2 silk-screen printed discs for circuit identification.

- Body in CB753S brass
- Interchangeable sizes for copper, plastic and multilayer pipe.
- Side connections: 3/4" - 1" male-female
- Centre distance between ports: 45 mm

NB Insulation on page 177



### ART. 3856

Code	size	€	box	pack
3856 34	3/4"		1	25
3856 1	1"		1	25

MULTIFAR - 2 port chrome-plated modular manifold for both domestic services and heating systems. Complete with manual controls. Each port is equipped with 2 silk-screen printed discs for circuit identification.

- Body in CB753S brass
- Interchangeable sizes for copper, plastic and multilayer pipe.
- Side connection: 3/4" female
- Centre distance between ports: 45 mm
- **WHILE STOCKS LAST**



### ART. 3826

Code	size	€	box	pack
3826 34	3/4"		1	25

MULTIFAR - 3 port chrome-plated modular manifold for both domestic services and heating systems. Complete with manual controls. Each port is equipped with 2 silk-screen printed discs for circuit identification.

- Body in CB753S brass
- Interchangeable sizes for copper, plastic and multilayer pipe.
- Side connection: 3/4" female
- Centre distance between ports: 45 mm
- **WHILE STOCKS LAST**



### ART. 3851

Code	size	€	box	pack
3851 34	3/4"		1	25

MULTIFAR - Chrome-plated modular manifold for both domestic services and heating systems. Complete with balancing lockshield valves.

- Body in CB753S brass
- Numbered regulating handle with anti-tamper guard
- Interchangeable sizes for copper, plastic and multilayer pipe.
- Side connections: 3/4" - 1" male-female
- Centre distance between ports: 45 mm
- **Patented**



**ART. 3878**



Code	outlets	size	€	box	pack
3878 3402	2	3/4"		1	25
3878 3403	3	3/4"		1	25
3878 3404	4	3/4"		1	25
3878 102	2	1"		1	25
3878 103	3	1"		1	25
3878 104	4	1"		1	25

MULTIFAR - 2 port chrome-plated modular manifold for both domestic services and heating systems. Complete with regulating valves.

- Body in CB753S brass
- Interchangeable sizes for copper, plastic and multilayer pipe.
- Side connections: 3/4" - 1" male-female
- Centre distance between ports: 45 mm



**ART. 3875**



Code	size	€	box	pack
3875 34	3/4"		1	25
3875 1	1"		1	25

MULTIFAR - 3 port chrome-plated modular manifold for both domestic services and heating systems. Complete with regulating valves.

- Body in CB753S brass
- Interchangeable sizes for copper, plastic and multilayer pipe.
- Side connections: 3/4" - 1" male-female
- Centre distance between ports: 45 mm



**ART. 3900**



Code	size	€	box	pack
3900 34	3/4"		1	25
3900 1	1"		1	25

MULTIFAR - 4 port chrome-plated modular manifold for both domestic services and heating systems. Complete with regulating valves.

- Body in CB753S brass
- Interchangeable sizes for copper, plastic and multilayer pipe.
- Side connections: 3/4" - 1" male-female
- Centre distance between ports: 45 mm



**ART. 3906**



Code	size	€	box	pack
3906 34	3/4"		1	25
3906 1	1"		1	25

MULTIFAR - 2 port chrome-plated modular manifold for both domestic services and heating systems. Complete with regulating valves.

- Body in CB753S brass
- Interchangeable sizes for copper, plastic and multilayer pipe.
- Side connection: 3/4" female
- Centre distance between ports: 45 mm
- **WHILE STOCKS LAST**



**ART. 3876**



Code	size	€	box	pack
3876 34	3/4"		1	25

MULTIFAR - 3 port chrome-plated modular manifold for both domestic services and heating systems. Complete with regulating valves.

- Body in CB753S brass
- Interchangeable sizes for copper, plastic and multilayer pipe.
- Side connection: 3/4" female
- Centre distance between ports: 45 mm
- **WHILE STOCKS LAST**



**ART. 3901**



Code	size	€	box	pack
3901 34	3/4"		1	25

MULTIFAR - Modular manifold for both domestic services and heating systems. Complete with manual controls. Each port is equipped with 2 silk-screen printed discs for circuit identification.

- Body made of CB770S brass
- Interchangeable sizes for copper, plastic and multilayer pipe.
- Side connections: 3/4" - 1" male-female
- Centre distance between ports: 45 mm

NB Insulation on page 177



### ART. 3834 - 3835 - 3837



Code	outlets	size	€	box	pack
3834 34	2	3/4"		1	25
3834 1	2	1"		1	25
3835 34	3	3/4"		1	25
3835 1	3	1"		1	25
3837 34	4	3/4"		1	25
3837 1	4	1"		1	25

MULTIFAR - Modular manifold for both domestic services and heating systems. Complete with manual controls. Each port is equipped with 2 silk-screen printed discs for circuit identification.

- Body made of CB770S brass
- Interchangeable sizes with M33x1,5 thread for ø 25-26 plastic and multilayer pipe
- Side connections: 1"1/4" male-female
- Centre distance between ports: 70 mm

NB Insulation on page 177



Kit for multilayer pipes. Suitable for our MULTIFAR manifold art. 3827.

Complete with:

- adapter for multilayer pipe
- brass ring
- brass nut with M33x1,5 thread

### ART. 3827

Code	outlets	size	€	box
3827 11402	2	1"1/4		1
3827 11403	3	1"1/4		1
3827 11404	4	1"1/4		1
3827 11405	5	1"1/4		1
3827 11406	6	1"1/4		1
3827 11407	7	1"1/4		1
3827 11408	8	1"1/4		1
3827 11409	9	1"1/4		1
3827 11410	10	1"1/4		1



### ART. 6056

Code	pipe	Ø external diameter	€	box	pack
6056 263274	multilayer	20x2		25	250
6056 263264	multilayer	20x2,25		25	250
6056 263265	multilayer	20x2,5		25	250
6056 219218	multilayer	25x2,5		25	250
6056 220218	multilayer	26x3		25	250

Brass reduction with M33x1,5 thread for modular MULTIFAR manifolds art. 3827. Ø 18-22 versions are complete with sealing kit.



### ART. 8851

Code	from size	to size	€	box
8851 30	25-26	24x19		25
8851 G1830	25-26	24x19 Ø 18		25
8851 G2230	25-26	Ø 22		25

Reduction with M33x1,5 - 3/4" thread for modular MULTIFAR manifolds art. 3827.



### ART. 8791

Code	size	€	box
8791 34	3/4"		1

Blind cap with M33x1,5 thread for modular MULTIFAR manifolds art. 3827.



### ART. 4101

Code	size	€	box
4101 126	25-26		1

START (Main module)

Chrome-plated multipurpose modular FLANGED manifold for water distribution and heating systems. Manual regulation. Complete with plug, regulating valve, BLUE - RED double-face disc and disc with numeric references for the connection to the water meter.

- Body made of CB770S brass
- INLET - 1"1/4 female
- OUTLET - 1/2" female
- INLET: 1"1/2 female
- OUTLET: 1/2" - 3/4" female
- INLET: 2" female
- OUTLET: 1" female



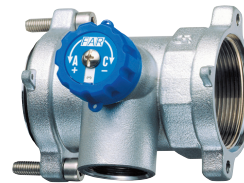
ART. 3874

Code	outlets	size	€	box
3874 11412	1/2"	1"1/4		1
3874 11212	1/2"	1"1/2		1
3874 11234	3/4"	1"1/2		1
3874 21	1"	2"		1

START (Joining module - 100 mm centre distance between ports)

Chrome-plated multipurpose modular FLANGED manifold for water distribution and heating systems. Manual regulation. Complete with plug, regulating valve, BLUE - RED double-face disc and disc with numeric references for the connection to the water meter.

- Body made of CB770S brass
- INLET - 1"1/4 female
- OUTLET - 1/2" female
- INLET: 1"1/2 female
- OUTLET: 1/2" - 3/4" female
- INLET: 2" female
- OUTLET: 1" female



ART. 3874

Code	outlets	centre dist.	size	€	box
3874 11412100	1/2"	100 mm	1"1/4		1
3874 11212100	1/2"	100 mm	1"1/2		1
3874 11234100	3/4"	100 mm	1"1/2		1
3874 21100	1"	100 mm	2"		1

START (Joining module - 200 mm centre distance between ports)

Chrome-plated multipurpose modular FLANGED manifold for water distribution and heating systems. Manual regulation. Complete with plug, regulating valve, BLUE - RED double-face disc and disc with numeric references for the connection to the water meter.

- Body made of CB770S brass
- INLET - 1"1/4 female
- OUTLET - 1/2" female
- INLET: 1"1/2 female
- OUTLET: 1/2" - 3/4" female
- INLET: 2" female
- OUTLET: 1" female

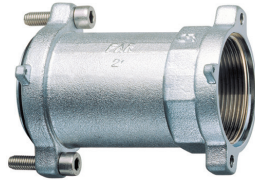


ART. 3874

Code	outlets	centre dist.	size	€	box
3874 11412200	1/2"	200 mm	1"1/4		1
3874 11212200	1/2"	200 mm	1"1/2		1
3874 11234200	3/4"	200 mm	1"1/2		1
3874 21200	1"	200 mm	2"		1

Chrome-plated FLANGED extension for START manifolds.

- Body made of CB770S brass
- 100 mm centre distance between ports



### ART. 3877

Code	centre dist.	size	€	box
3877 114	100 mm	1"1/4		1
3877 112	100 mm	1"1/2		1
3877 2	100 mm	2"		1

Chrome-plated intermediate connection.

- Size: 2" male-female
- Connections: 1/2" - 3/8" - 1/2"



### ART. 3452

Code	size	€	box
3452 2	2"		1

Metal bracket complete with collars for START manifolds and manifolds with 100 mm. centre distance between ports.



### ART. 7470

Code	size	€	box
7470 114	1"1/4		2
7470 112	1"1/2		2
7470 2	2"		2

Kit complete with 2 collars for START manifolds and manifolds with 100 mm. centre distance between ports. Preset to be hooked on metal brackets, art. 7485.



### ART. 7495

Code	size	€	box
7495 114	1"1/4		10
7495 112	1"1/2		7
7495 2	2"		7

Chrome-plated terminal blanking plug for START manifolds.

- Complete with O-ring seat



### ART. 4150

Code	size	€	box
4150 114	1"1/4		25
4150 112	1"1/2		10
4150 2	2"		10

Chrome-plated terminal blanking reduction for START manifolds.

- Complete with O-ring seal

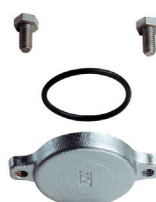


### ART. 4200

Code	size	€	box
4200 11412	1"1/4x1/2"		25
4200 11434	1"1/4x3/4"		25
4200 1141	1"1/4x1"		25
4200 1121	1"1/2x1"		10
4200 21	2"x1"		10

Chrome-plated flanged end closing plug for START manifolds.

- Complete with O-ring seal and screws



### ART. 4310

Code	size	€	box
4310 114	1"1/4		25
4310 112	1"1/2		10
4310 2	2"		10



1 port brass modular manifold.

- Body made of CB770S
- Suitable for manifolds with 100 mm. centre distance between ports
- Inlet: 1" male-female
- Outlet: 1/2" female



**ART. 3610**

Code	outlets	size	€	box
3610 112	1/2"	1"		5

2 port brass modular manifold.

- Body made of CB770S
- Inlet: 1"-1"1/4 - 1"1/2 - 2" male-female
- Outlets: 1/2"-3/4"-1" female
- Centre distance between ports: 100 mm



**ART. 3611**

Code	outlets	size	€	box
3611 112	1/2"	1"		5
3611 11412	1/2"	1"1/4		3
3611 11434	3/4"	1"1/4		3
3611 11234	3/4"	1"1/2		1
3611 1121	1"	1"1/2		1
3611 234	3/4"	2"		1
3611 21	1"	2"		1

3 port brass modular manifold.

- Body made of CB770S
- Inlet: 1"-1"1/4 - 1"1/2 - 2" male-female
- Outlets: 1/2"-3/4"-1" female
- Centre distance between ports: 100 mm



**ART. 3612**

Code	outlets	size	€	box
3612 112	1/2"	1"		4
3612 11412	1/2"	1"1/4		3
3612 11434	3/4"	1"1/4		2
3612 11234	3/4"	1"1/2		1
3612 1121	1"	1"1/2		1
3612 234	3/4"	2"		1
3612 21	1"	2"		1

3 port brass modular manifold.

- Body made of CB770S
- Inlet: 3/4" female
- Outlets: 1/2" female
- Centre distance between ports: 100 mm



**ART. 3614**

Code	outlets	size	€	box
3614 3412	1/2"	3/4"		6

1 port brass modular manifold.

- Suitable for manifolds with 100 mm. centre distance between ports
- Body made of CB770S
- Inlet: 1" male-female
- Outlet: 3/4" male



**ART. 3615**

Code	outlets	size	€	box
3615 134	3/4"	1"		5

2 port brass modular manifold.

- Body made of CB770S
- Inlet: 1" - 1"1/4 - 1"1/2 - 2" male-female
- Outlets: 1/2" - 3/4" - 1" male
- Centre distance between ports: 100 mm



**ART. 3616**

Code	outlets	size	€	box
3616 112	1/2"	1"		5
3616 134	3/4"	1"		5
3616 11434	3/4"	1"1/4		3
3616 1141	1"	1"1/4		3
3616 1121	1"	1"1/2		1
3616 21	1"	2"		1

3 port brass modular manifold.

- Body made of CB770S
- Inlet: 1" - 1"1/4 - 1"1/2 - 2" male-female
- Outlets: 1/2" - 3/4" - 1" male
- Centre distance between ports: 100 mm



**ART. 3617**

Code	outlets	size	€	box
3617 112	1/2"	1"		4
3617 134	3/4"	1"		4
3617 11434	3/4"	1"1/4		2
3617 1141	1"	1"1/4		2
3617 1121	1"	1"1/2		1
3617 21	1"	2"		1

2 port brass modular manifold to be used with manifolds with 100 mm. centre distance between ports.

- Body made of CB770S brass
- Inlet: 1"1/2 male-female
- Outlets: 1/2" - 3/4" female

**ART. 3618**

Code	outlets	size	€	box	pack
3618 11212	1/2"	1"1/2		1	18
3618 11234	3/4"	1"1/2		1	18

4 port brass modular manifold.

- Body made of CB770S brass
- Inlet: 1"1/2 male-female
- Outlets: 1/2" - 3/4" female
- Centre distance between ports: 100 mm

**ART. 3619**

Code	outlets	size	€	box	pack
3619 11212	1/2"	1"1/2		1	10
3619 11234	3/4"	1"1/2		1	10

6 port brass modular manifold.

- Body made of CB770S brass
- Inlet: 1"1/2 male-female
- Outlets: 1/2" - 3/4" female
- Centre distance between ports: 100 mm

**ART. 3620**

Code	outlets	size	€	box	pack
3620 11212	1/2"	1"1/2		1	10
3620 11234	3/4"	1"1/2		1	10

Brass terminal blanking plug for modular manifolds.

- Body made of CW602N brass
- O-ring seal

**ART. 4149**

Code	size	€	box	pack
4149 1	1"		25	250
4149 114	1"1/4		25	250
4149 112	1"1/2		10	160
4149 2	2"		10	100

Brass terminal blanking reduction for modular manifolds.

- Body made of CW602N brass
- O-ring seal

**ART. 4199**

Code	size	€	box	pack
4199 138	1"x3/8"		25	250
4199 112	1"x1/2"		25	250
4199 134	1"x3/4"		25	400
4199 11412	1"1/4x1/2"		25	400
4199 11434	1"1/4x3/4"		25	400
4199 1141	1"1/4x1"		25	400
4199 1121	1"1/2x1"		10	160
4199 21	2"x1"		10	100

Brass blind cap.

- Body made of CW602N brass
- Complete with gasket

**ART. 4099**

Code	size	€	box	pack
4099 1	1"		30	300
4099 114	1"1/4		30	300
4099 112	1"1/2		15	150
4099 2	2"		10	100

Brass connection for modular manifolds.

- Body made of brass
- Interchangeable sizes for copper, plastic and multilayer pipe
- O-ring seal

**ART. 4299**

Code	size	€	box	pack
4299 34	3/4"		25	200
4299 1	1"		25	200



Brass connection for modular manifolds.

- Body made of brass
- Adapter for multilayer pipe Ø 25-26

**ART. 4301**

Code	size	Ø pipe	€	box	pack
4301 1219218	1"	25		10	100
4301 1220218	1"	26		10	100

Chrome-plated manifold.

- Body made of CB753S brass
- Interchangeable sizes for copper, plastic and multilayer pipe.
- Side connection: 3/4" - 1" female
- Centre distance between ports: 36 mm



**ART. 3000-3050-3100**

Code	outlets	size	€	box	pack
3000 34	2	3/4"		14	140
3000 1	2	1"		12	120
3050 34	3	3/4"		10	100
3050 1	3	1"		8	80
3100 34	4	3/4"		8	80
3100 1	4	1"		6	60

Chrome-plated modular manifold .

- Body made of CB753S brass
- Interchangeable sizes for copper, plastic and multilayer pipe.
- Side connections: 3/4" - 1" male-female
- Centre distance between ports: 36 mm



**ART. 3300-3350-3400**

Code	outlets	size	€	box	pack
3300 34	2	3/4"		12	120
3300 1	2	1"		10	100
3350 34	3	3/4"		9	90
3350 1	3	1"		7	70
3400 34	4	3/4"		8	80
3400 1	4	1"		6	60

Chrome-plated modular manifold.

- Body made of CB753S brass
- Interchangeable sizes for copper, plastic and multilayer pipe.
- Side connections: 3/4"-1"-1"1/4 male-female
- Centre distance between ports: 50 mm

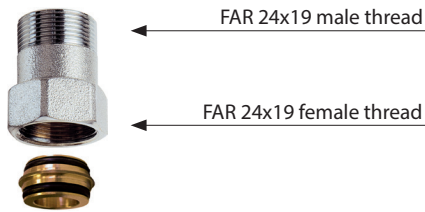


**ART. 3401-3402-3403**

Code	outlets	size	€	box	pack
3401 34	2	3/4"		12	120
3401 1	2	1"		8	80
3401 114	2	1"1/4		8	80
3402 34	3	3/4"		8	80
3402 1	3	1"		6	60
3402 114	3	1"1/4		6	60
3403 34	4	3/4"		6	80
3403 1	4	1"		4	60
3403 114	4	1"1/4		4	60

Chrome-plated straight extension.

- interchangeable sizes for copper, plastic and multilayer pipe
- sealing metal gasket with double O-ring
- suitable on FAR 24x19 male connections with Ø16 mm only

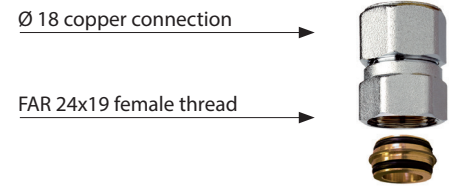


### ART. 8850

Code	length/mm	€	box	pack
8850 30	30		25	250
8850 35	35		25	250
8850 40	40		25	250

Chrome-plated straight extension. Permits changing a FAR 24 x 19 male thread in a Ø 18 connection for copper pipe.

- sealing metal gasket with double O-ring
- suitable on FAR 24x19 male connections with Ø16 mm only

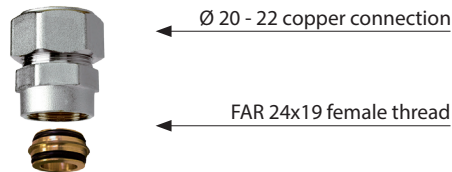


### ART. 8850

Code	size	length/mm	€	box	pack
8850 G1830	24x19 - Ø18	30		25	250
8850 G1835	24x19 - Ø18	35		25	250
8850 G1840	24x19 - Ø18	40		25	250

Chrome-plated straight extension. Permits changing a FAR 24 x 19 male thread in a Ø 20-22 connection for copper pipe.

- sealing metal gasket with double O-ring
- suitable on FAR 24x19 male connections with Ø16 mm only

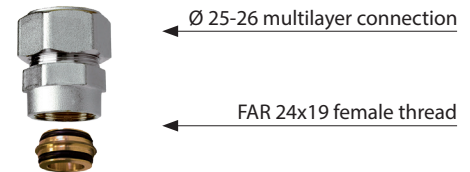


### ART. 8850

Code	size	length/mm	€	box	pack
8850 G2030	24x19 - Ø 20	30		25	250
8850 G2230	24x19 - Ø 22	30		25	250

Chrome-plated straight extension. Permits changing a FAR 24 x 19 male thread in a Ø 25-26 connection for multilayer pipe.

- Ø 25-26 multilayer adapter
- sealing metal gasket with double O-ring
- suitable on FAR 24x19 male connections with Ø16 mm only

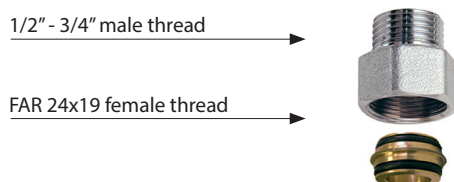


### ART. 8854

Code	size	length/mm	€	box	pack
8854 25	24x19 - Ø 25x2,5	30		10	250
8854 26	24x19 - Ø 26x3	30		10	250

Chrome-plated reducer. Permits changing a FAR 24X19 male thread in a 1/2" - 3/4" male thread.

- sealing metal gasket with double O-ring
- suitable on FAR 24x19 male connections with Ø16 mm only

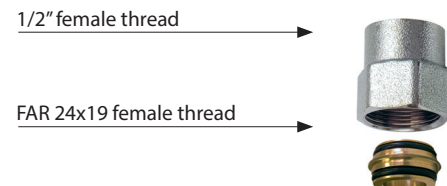


### ART. 8865

Code	size	length/mm	€	box	pack
8865 3012	24x19 - 1/2" Flat faced	30		25	250
8865 3034	24x19 - 3/4" Flat faced	30		25	250
8865 3034EU	24x19 - 3/4" Eurokonus	30		25	250

Chrome-plated reducer. Permits changing a FAR 24X19 male thread in a 1/2" female thread.

- sealing metal gasket with double O-ring
- suitable on FAR 24x19 male connections with Ø16 mm only



### ART. 8870

Code	size	length/mm	€	box	pack
8870 30	24x19 - 1/2"	30		25	250

Anti-condensate protection shell made of thermo-formed expanded polyethylene for 3/4" - 1" MULTIFAR manifolds, 45mm centre distance between ports.

(Art. 3821-3822-3824-3825-3834-3835-3837-3850-3856)



**ART. 9306**

Code	outlets	size	€	box
9306 3402	2	3/4"		1
9306 3403	3	3/4"		1
9306 3404	4	3/4"		1
9306 102	2	1"		1
9306 103	3	1"		1
9306 104	4	1"		1

Anti-condensate protection shell made of thermo-formed expanded polyethylene for 1 1/4" MULTIFAR manifolds, 70mm centre distance between ports (Art. 3827).



**ART. 9307**

Code	outlets	size	€	box
9307 11402	2	1 1/4"		1
9307 11403	3	1 1/4"		1

Anti-condensate protection shell made of thermo-formed expanded polyethylene for 1"-1 1/4" manifolds, 50 mm centre distance between ports.

(Art. 3401-3402-3403-3600-3650-3700-3625-3675-3725)



**ART. 9303**

Code	outlets	size	€	box
9303 102	2	1"		1
9303 103	3	1"		1
9303 104	4	1"		1
9303 11402	2	1 1/4"		1
9303 11403	3	1 1/4"		1
9303 11404	4	1 1/4"		1

Anti-condensate protection shell made of thermo-formed expanded polyethylene for 1 1/4"-1 1/2" - 2" manifolds, 100 mm centre distance between ports.

(Art. 3611-3612-3616-3617)



**ART. 9304**

Code	outlets	size	€	box
9304 11402	2	1 1/4"		1
9304 11403	3	1 1/4"		1
9304 11202	2	1 1/2"		1
9304 11203	3	1 1/2"		1
9304 202	2	2"		1
9304 203	3	2"		1

Anti-condensate protection shell made of thermo-formed expanded polyethylene for 1" manifolds with 36 mm centre distance between ports (Art.3000-3050-3100-3300-3350-3400-3150-3200-3250-3175-3225-3275-3450-3500-3550-3475-3525-3575).



**ART. 9305**

Code	outlets	size	€	box
9305 102	2	1"		1
9305 103	3	1"		1
9305 104	4	1"		1

- Chrome-plated modular coplanar manifold.  
Each manifold is complete with M8 screw and O-ring for connection.
- Body made of CW617N brass
  - Interchangeable sizes for copper, plastic and multilayer pipe



## ART. 3750

Code	outlets	size	€	box	pack
3750 34	2+2	3/4"		1	20
3750 1	2+2	1"		1	20

Chrome-plated modular coplanar manifold with manual controls, right version. Each manifold is complete with M8 screw and O-ring for connection.

- Body made of CW617N brass
- Interchangeable sizes for copper, plastic and multilayer pipe



## ART. 3753

Code	outlets	size	€	box
3753 34	2	3/4"		1

Brass modular coplanar manifold with manual controls, left version. Each manifold is complete with M8 screw and O-ring for connection.

- Body made of CW617N brass
- Interchangeable sizes for copper, plastic and multilayer pipe



## ART. 3752

Code	outlets	size	€	box
3752 34	2	3/4"		1

PRE-ASSEMBLED chrome-plated coplanar manifold.

- Body made of CW617N brass
- Interchangeable sizes for copper, plastic and multilayer pipe

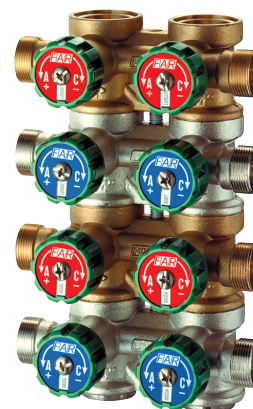


## ART. 3751

Code	outlets	size	€	box
3751 3404	4+4	3/4"		1
3751 3406	6+6	3/4"		1
3751 3408	8+8	3/4"		1
3751 3410	10+10	3/4"		1
3751 104	4+4	1"		1
3751 106	6+6	1"		1
3751 108	8+8	1"		1
3751 110	10+10	1"		1

PRE-ASSEMBLED coplanar manifold with manual controls.

- Body made of CW617N brass
- Interchangeable sizes for copper, plastic and multilayer pipe



## ART. 3754

Code	outlets	size	€	box
3754 3404	2+2	3/4"		1
3754 3406	3+3	3/4"		1
3754 3408	4+4	3/4"		1
3754 3410	5+5	3/4"		1
3754 3412	6+6	3/4"		1

Chrome-plated straight terminal blanking reduction for modular manifolds complete with gasket.

- Body made of CW617N brass
- Connection: 3/4"-1" female
- Outlets: 1/4"-3/8"-1/2"- female
- Connection: 1"1/4 female
- Outlets: 1/4"-3/8"-1/2"- 3/4" female



**ART. 4000**

Code	size	€	box	pack
4000 3414	3/4"x1/4"		30	300
4000 3438	3/4"x3/8"		30	300
4000 3412	3/4"x1/2"		30	300
4000 114	1"x1/4"		30	300
4000 138	1"x3/8"		30	300
4000 112	1"x1/2"		30	300
4000 11414	1"1/4x1/4"		25	250
4000 11438	1"1/4x3/8"		25	250
4000 11412	1"1/4x1/2"		25	250
4000 11434	1"1/4x3/4"		25	250

Chrome-plated angled terminal blanking reduction for modular manifolds.

- Body made of CW617N brass
- Connection: 3/4"-1" - 1"1/4 female
- Outlets: 1/4"-3/8"-1/2" female



**ART. 4050**

Code	size	€	box	pack
4050 3414	3/4"x1/4"		30	240
4050 3438	3/4"x3/8"		30	240
4050 3412	3/4"x1/2"		30	240
4050 114	1"x1/4"		30	180
4050 138	1"x3/8"		30	180
4050 112	1"x1/2"		30	180
4050 11438	1"1/4x3/8"		30	180
4050 11412	1"1/4x1/2"		30	180

Chrome-plated blind cap complete with gasket.

- Body made of CW617N brass



**ART. 4100**

Code	size	€	box	pack
4100 12	1/2"		50	500
4100 34	3/4"		40	400
4100 1	1"		30	300
4100 114	1"1/4"		30	300
4100 112	1"1/2"		15	150
4100 2	2"		10	100

KIT for manifold outlets complete with chrome-plated nut. (Adaptable to all interchangeable outlets).

Ø 18 outlets excluded.



**ART. 4250**

Code	size	€	box	pack
4250	24x19		50	400

Chrome-plated male plug for manifold outlets.

- Body made of CW617N brass



**ART. 4125**

Code	size	€	box	pack
4125 12	1/2"		30	-

Chrome-plated terminal blanking reduction with O-ring seal for manifolds with connection for air vent valve.

- Body made of CW617N brass

**ART. 4200**

Code	size	€	box	pack
4200 3414	3/4"x1/4"		25	250
4200 3438	3/4"x3/8"		25	250
4200 3412	3/4"x1/2"		25	250
4200 114	1"x1/4"		25	250
4200 138	1"x3/8"		25	250
4200 112	1"x1/2"		25	250
4200 134	1"x3/4"		25	250
4200 11412	1"1/4x1/2"		25	250
4200 11434	1"1/4x3/4"		25	250
4200 1141	1"1/4x1"		25	250
4200 1121	1"1/2x1"		10	100
4200 21	2"x1"		10	100

Chrome-plated terminal blanking plug with O-ring seal for manifolds.

- Body made of CW617N brass

**ART. 4150**

Code	size	€	box	pack
4150 34	3/4"		25	250
4150 1	1"		25	250
4150 114	1"1/4"		25	250
4150 112	1"1/2"		10	100
4150 2	2"		10	100



Chrome-plated connection for coplanar and flanged manifolds. Interchangeable sizes for copper, plastic and multilayer pipe.

- Body made of CW617N brass

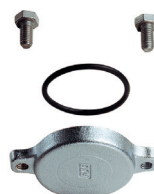
**ART. 4300**

Code	size	€	box	pack
4300 34	3/4"		25	200
4300 1	1"		25	200



End closing plug for flanged manifolds.

- Body made of CW617N brass



**ART. 4310**

Code	size	€	box
4310 1	1"		30

Kit for plastic pipes. Suitable for all our products with 24x19 interchangeable connection.

Complete with:

- adapter for plastic pipe
- brass ring
- chrome-plated nut with 24x19 thread



### ART. 6052



Code	pipe	Ø external diameter	€	box	pack
6052 95147	plastic	10,5x1,25		50	250
6052 48186	plastic	12x2,15		50	250
6052 4847	plastic	12x2		50	250
6052 48184	plastic	12x1,5		50	250
6052 481005	plastic	12x1,35		50	250
6052 9761005	plastic	12,7x1,7		50	250
6052 976186	plastic	12,7x2,4		50	250
6052 6563	plastic	14x1,5		50	250
6052 6545	plastic	14x2		50	250
6052 4645	plastic	15x2,5		50	250
6052 4663	plastic	15x2		50	250
6052 46173	plastic	15x1,7		50	250
6052 4661	plastic	15x1,5		50	250
6052 5863	plastic	16x2,5		50	250
6052 58173	plastic	16x2,2		50	250
6052 5861	plastic	16x2		50	250
6052 58262	plastic	16x1,8		50	250
6052 5864	plastic	16x1,5		50	250
6052 58180	plastic	16x2,7		50	250
6052 15061	plastic	16,8x2,4		50	250
6052 150829	plastic	17x2,25		50	250
6052 15043	plastic	17x2		50	250
6052 6043	plastic	17,8x2,4		50	250
6052 60180	plastic	17,8x3,6		50	250
6052 4443	plastic	18x2,5		50	250
6052 44221	plastic	18x2,2		50	250
6052 4468	plastic	18x2		50	250
6052 8043	plastic	20x3,5		50	250
6052 8068	plastic	20x3		50	250
6052 80185	plastic	20x2,8		50	250
6052 80222	plastic	20x2,3		50	250
6052 8069	plastic	20x2,15		50	250
6052 80214	plastic	20x2		50	250
6052 80261	plastic	20x1,9		50	250

Sealing compression KIT in rubber for copper pipe.

Complete with:

- rubber compression single-taper
- brass ring
- chrome-plated nut with 24x19 thread



### ART. 8429



Code	pipe	size	€	box	pack
8429 15	copper	Ø 15		100	500
8429 16	copper	Ø 16		100	500

Kit for multilayer pipes. Suitable for all our products with 24x19 interchangeable connection.

Complete with:

- adapter for multilayer pipe
- brass ring
- chrome-plated nut with 24x19 thread



### ART. 6055



Code	pipe	Ø external diameter	€	box	pack
6055 902901	multilayer	11,6x1,5		50	250
6055 48901	multilayer	12x1,8		50	250
6055 65193	multilayer	14x2		50	250
6055 46193	multilayer	15x2,5		50	250
6055 58190	multilayer	16x2		50	250
6055 58200	multilayer	16x2,25		50	250
6055 58278	multilayer	16,2x2,6		50	250
6055 150200	multilayer	16,8x2,5		50	250
6055 150810	multilayer	17x2		50	250
6055 44191	multilayer	18x2		50	250
6055 80204	multilayer	20x2		50	250
6055 80192	multilayer	20x2,25		50	250
6055 80201	multilayer	20x2,5		50	250
6055 80191	multilayer	20x2,9		50	250

Kit for multilayer pipes. Suitable for our MULTIFAR manifold art. 3827.

Complete with:

- adapter for multilayer pipe
- brass ring
- brass nut with M33x1,5 thread



### ART. 6056

Code	pipe	Ø external diameter	€	box	pack
6056 263274	multilayer	20x2		25	250
6056 263264	multilayer	20x2,25		25	250
6056 263265	multilayer	20x2,5		25	250
6056 219218	multilayer	25x2,5		25	250
6056 220218	multilayer	26x3		25	250

Sealing compression KIT in rubber for copper pipe.

Complete with:

- brass pipe guide washer
- rubber compression single-taper
- brass ring
- chrome-plated nut with 24x19 thread



### ART. 8427



Code	pipe	size	€	box	pack
8427 10	copper	Ø 10		100	500
8427 12	copper	Ø 12		100	500
8427 14	copper	Ø 14		100	500



Code	Description	size	gasket	€	box	pack
3825 34G18	2 PORT MALE-FEMALE "MULTIFAR" MANIFOLD COMPLETE WITH BUILT-IN MANUAL CONTROLS	3/4"x18	Rubber		1	25
3825 1G18	2 PORT MALE-FEMALE "MULTIFAR" MANIFOLD COMPLETE WITH BUILT-IN MANUAL CONTROLS	1"x18	Rubber		1	25
3850 34G18	3 PORT MALE-FEMALE "MULTIFAR" MANIFOLD COMPLETE WITH BUILT-IN MANUAL CONTROLS	3/4"x18	Rubber		1	25
3850 1G18	3 PORT MALE-FEMALE "MULTIFAR" MANIFOLD COMPLETE WITH BUILT-IN MANUAL CONTROLS	1"x18	Rubber		1	25
3856 34G18	4 PORT MALE-FEMALE "MULTIFAR" MANIFOLD COMPLETE WITH BUILT-IN MANUAL CONTROLS	3/4"x18	Rubber		1	25
3856 1G18	4 PORT MALE-FEMALE "MULTIFAR" MANIFOLD COMPLETE WITH BUILT-IN MANUAL CONTROLS	1"x18	Rubber		1	25
3875 34G18	2 PORT MALE-FEMALE "MULTIFAR" MANIFOLD COMPLETE WITH BUILT-IN REGULATING VALVES	3/4"x18	Rubber		1	25
3875 1G18	2 PORT MALE-FEMALE "MULTIFAR" MANIFOLD COMPLETE WITH BUILT-IN REGULATING VALVES	1"x18	Rubber		1	25
3900 34G18	3 PORT MALE-FEMALE "MULTIFAR" MANIFOLD COMPLETE WITH BUILT-IN REGULATING VALVES	3/4"x18	Rubber		1	25
3900 1G18	3 PORT MALE-FEMALE "MULTIFAR" MANIFOLD COMPLETE WITH BUILT-IN REGULATING VALVES	1"x18	Rubber		1	25
3906 34G18	4 PORT MALE-FEMALE "MULTIFAR" MANIFOLD COMPLETE WITH BUILT-IN REGULATING VALVES	3/4"x18	Rubber		1	25
3906 1G18	4 PORT MALE-FEMALE "MULTIFAR" MANIFOLD COMPLETE WITH BUILT-IN REGULATING VALVES	1"x18	Rubber		1	25
3834 34G18	2 PORT "CR" (DZR) MALE-FEMALE "MULTIFAR" MANIFOLD COMPLETE WITH BUILT-IN MANUAL CONTROLS	3/4"x18	Rubber		1	25
3834 1G18	2 PORT "CR" (DZR) MALE-FEMALE "MULTIFAR" MANIFOLD COMPLETE WITH BUILT-IN MANUAL CONTROLS	1"x18	Rubber		1	25
3835 34G18	3 PORT "CR" (DZR) MALE-FEMALE "MULTIFAR" MANIFOLD COMPLETE WITH BUILT-IN MANUAL CONTROLS	3/4"x18	Rubber		1	25
3835 1G18	3 PORT "CR" (DZR) MALE-FEMALE "MULTIFAR" MANIFOLD COMPLETE WITH BUILT-IN MANUAL CONTROLS	1"x18	Rubber		1	25
3837 34G18	4 PORT "CR" (DZR) MALE-FEMALE "MULTIFAR" MANIFOLD COMPLETE WITH BUILT-IN MANUAL CONTROLS	3/4"x18	Rubber		1	25
3837 1G18	4 PORT "CR" (DZR) MALE-FEMALE "MULTIFAR" MANIFOLD COMPLETE WITH BUILT-IN MANUAL CONTROLS	1"x18	Rubber		1	25
3000 34G18	2 PORT FEMALE MANIFOLD	3/4"x18	Rubber		14	140
3000 1G18	2 PORT FEMALE MANIFOLD	1"x18	Rubber		12	120
3050 34G18	3 PORT FEMALE MANIFOLD	3/4"x18	Rubber		10	100
3050 1G18	3 PORT FEMALE MANIFOLD	1"x18	Rubber		8	80
3100 34G18	4 PORT FEMALE MANIFOLD	3/4"x18	Rubber		8	80
3100 1G18	4 PORT FEMALE MANIFOLD	1"x18	Rubber		6	60
3300 34G18	2 PORT MALE-FEMALE MANIFOLD	3/4"x18	Rubber		12	120
3300 1G18	2 PORT MALE-FEMALE MANIFOLD	1"x18	Rubber		10	100
3350 34G18	3 PORT MALE-FEMALE MANIFOLD	3/4"x18	Rubber		9	90
3350 1G18	3 PORT MALE-FEMALE MANIFOLD	1"x18	Rubber		7	70
3400 34G18	4 PORT MALE-FEMALE MANIFOLD	3/4"x18	Rubber		8	80
3400 1G18	4 PORT MALE-FEMALE MANIFOLD	1"x18	Rubber		6	60
3401 34G18	2 PORT MALE-FEMALE MANIFOLD WITH 50 mm. CENTRE DISTANCE BETWEEN PORTS	3/4"x18	Rubber		12	120
3401 1G18	2 PORT MALE-FEMALE MANIFOLD WITH 50 mm. CENTRE DISTANCE BETWEEN PORTS	1"x18	Rubber		8	80
3401 114G18	2 PORT MALE-FEMALE MANIFOLD WITH 50 mm. CENTRE DISTANCE BETWEEN PORTS	1"1/4x18	Rubber		8	80
3402 34G18	3 PORT MALE-FEMALE MANIFOLD WITH 50 mm. CENTRE DISTANCE BETWEEN PORTS	3/4"x18	Rubber		8	80
3402 1G18	3 PORT MALE-FEMALE MANIFOLD WITH 50 mm. CENTRE DISTANCE BETWEEN PORTS	1"x18	Rubber		6	60
3402 114G18	3 PORT MALE-FEMALE MANIFOLD WITH 50 mm. CENTRE DISTANCE BETWEEN PORTS	1"1/4x18	Rubber		6	60
3403 34G18	4 PORT MALE-FEMALE MANIFOLD WITH 50 mm. CENTRE DISTANCE BETWEEN PORTS	3/4"x18	Rubber		6	60
3403 1G18	4 PORT MALE-FEMALE MANIFOLD WITH 50 mm. CENTRE DISTANCE BETWEEN PORTS	1"x18	Rubber		4	40
3403 114G18	4 PORT MALE-FEMALE MANIFOLD WITH 50 mm. CENTRE DISTANCE BETWEEN PORTS	1"1/4x18	Rubber		4	40
3750 34G18	2+2 PORT MODULAR COPLANAR MANIFOLD	3/4"x18	Rubber		1	-
3750 1G18	2+2 PORT MODULAR COPLANAR MANIFOLD	1"x18	Rubber		1	-
3751 3404G18	4+4 PORT MODULAR COPLANAR MANIFOLD	3/4"x18	Rubber		1	-
3751 3406G18	6+6 PORT MODULAR COPLANAR MANIFOLD	3/4"x18	Rubber		1	-
3751 3408G18	8+8 PORT MODULAR COPLANAR MANIFOLD	3/4"x18	Rubber		1	-
3751 3410G18	10+10 PORT MODULAR COPLANAR MANIFOLD	3/4"x18	Rubber		1	-
3751 104G18	4+4 PORT MODULAR COPLANAR MANIFOLD	1"x18	Rubber		1	-
3751 106G18	6+6 PORT MODULAR COPLANAR MANIFOLD	1"x18	Rubber		1	-
3751 108G18	8+8 PORT MODULAR COPLANAR MANIFOLD	1"x18	Rubber		1	-
3751 110G18	10+10 PORT MODULAR COPLANAR MANIFOLD	1"x18	Rubber		1	-
4300 34G18	CONNECTION FOR COPLANAR MANIFOLD	3/4"x18	Rubber		25	200
4300 1G18	CONNECTION FOR COPLANAR MANIFOLD	1"x18	Rubber		25	200

